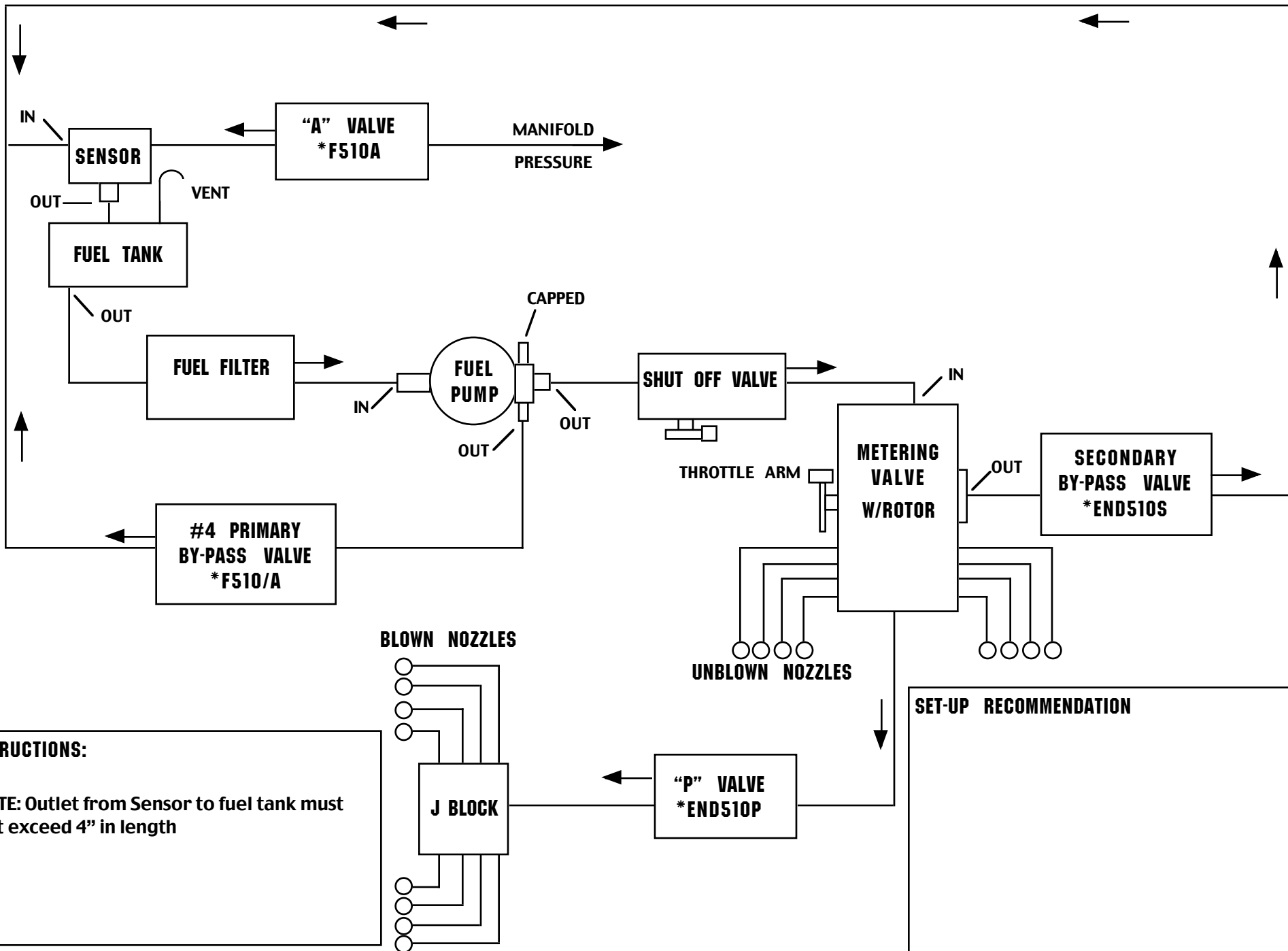


INSTALLATION SCHEMATIC OF A HILBORN FUEL INJECTOR FOR TURBOCHARGED ENGINE WITH 8-CYLINDERS & "P" VALVE



INSTRUCTIONS:

NOTE: Outlet from Sensor to fuel tank must not exceed 4" in length

SET-UP RECOMMENDATION